

PressACR Fitting Applications

Approved Refrigerants

R1234yf, R1234ze, R125, R134a, R143a, R404A, R407A, R407C, R407F, R410A, R417A, R422D, R447A, R448A, R449A, R450A, R452A, R452B, R507, R513A, R718, R32, R290, R600, R600a, R407B, R407G, R407H, R421A, R422A, R422B, R422C, R427A, R434A, R446A, R449B, R449C, R451A, R451B, R452C, R454A, R454B, R454C, R456A, R513B

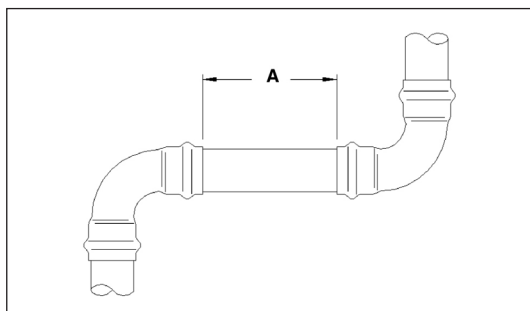
Approved Oils

POE, PAG, MO, PAO, PVE and AB

Brazing Chart

Minimum Distance Between Joints

To prevent distortion of the tubing, certain fitting sizes require a minimum distance between crimp joints (refer to Chart 1 below). Failure to provide this minimum distance may result in an improper seal.



Size	Insertion Depth	Minimum Distance Between Two Pressed Connections	Distance to Press Fittings From Existing Brazed Fittings	Distance to Braze from Existing Press Fitting
		A (inches)		
1/4	11/16	1/4	3	16
5/16	11/16	1/4	3	16
3/8	11/16	1/4	3	16
1/2	11/16	1/4	3	16
5/8	11/16	1/4	5	22
3/4	7/8	3/8	5	22
7/8	7/8	3/8	5	22
1 1/8	7/8	3/8	6	24
1 3/8	1	1/2	8	26

Elbows

Elbows cause a pressure drop due to changing direction of the internal fluid. This results in a pressure drop slightly higher than a straight length of ACR tubing. When calculating the total line length for pressure drop, the below chart can be used to account for elbows.

Pressure Drop: Equivalent Lengths of ACR Tube (ft)	
Line Size (OD)	NIBCO Press Long Radius Elbow
1/4	0.48
5/16	0.50
3/8	0.65
1/2	0.93
5/8	1.04
3/4	1.39
7/8	1.40
1 1/8	1.88
1 3/8	2.95

Tools

Tool & Jaws Compatibility Matrix			
Manufacturer	Model(s)	Size Range	NIBCO Jaws
NIBCO®	PCR-20M (19 kN)	1/4" to 1 1/8"	PCR-14M 1/4 Jaw, PCR-516M 5/16 Jaw, PCR-38M 3/8 Jaw, PCR-12M 1/2 Jaw, PCR-1M 5/8 Jaw, PCR-34M 3/4 Jaw, PCR-2M 7/8 Jaw and PCR-3M 1 1/8 Jaw
Klauke®	MAP2L19 (19 kN)	1/4" to 1 1/8"	
NIBCO®	PC-280 (32 kN)	1/4" to 1 3/8"	PCR-14S 1/4 Jaw, PCR-516S 5/16 Jaw, PCR-38S 3/8 Jaw, PCR-12S 1/2 Jaw, PCR-1S 5/8 Jaw, PCR-34S 3/4 Jaw, PCR-2S 7/8 Jaw, PCR-3S 1 1/8 Jaw and PCR-138M 1 3/8 Jaw
RIDGID®	RP 350 (32 kN)	1/4" to 1 1/8"	
	RP 351 (32 kN)	1/4" to 1 1/8"	
	RP 342-XL Long Reach (32 kN)	1/4" to 1 1/8"	
Milwaukee®	M18™ (32 kN)	1/4" to 1 1/8"	
	M18™ Long Throw (32 kN)	1/4" to 1 1/8"	
DeWalt®	DCE200 (32 kN)	1/4" to 1 1/8"	

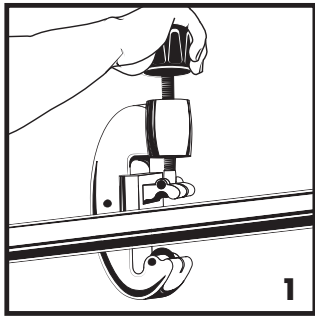
NOTE: Only NIBCO jaws can be used to crimp NIBCO PressACR™ fittings. Use of any other jaw will void the product warranty.

Visit our website for the most current information.

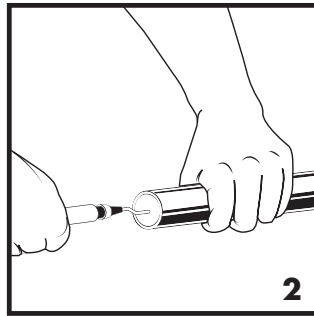
NIBCO® PressACR™

Fittings Installation Instructions

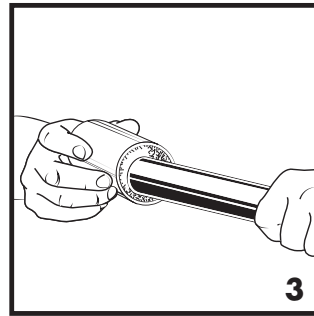
For hard or annealed ACR copper tubing



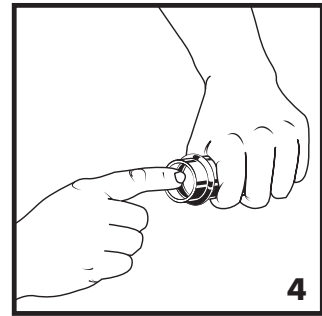
1. Select clean, undamaged copper tube and cut to desired length. Cut tube end square using a pipe cutter or fine-toothed steel saw.



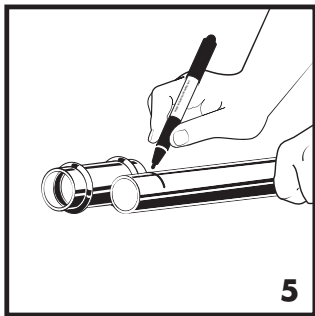
2. Deburr the tube inside diameter using a rounded file or a deburring tool.



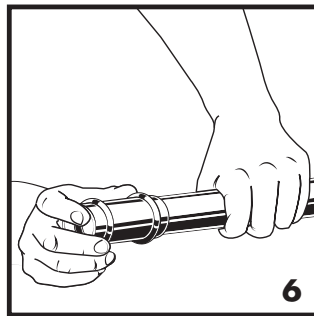
3. Deburr the tube outside diameter using a rounded file or a deburring tool. Radially sand the end of the tube with a very fine grit abrasive hand pad. Clean the tube end of all dirt, oil and grease as well as copper dust and chips from sawing.



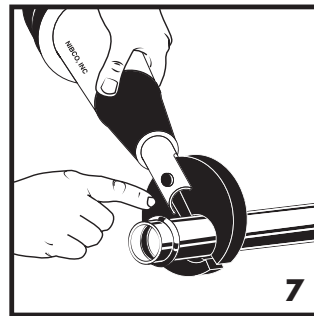
4. Check the fitting to make sure that the seal is in place, clean and free of contaminants. Only original NIBCO gray HNBR seals are to be used. Use only approved lubricants.



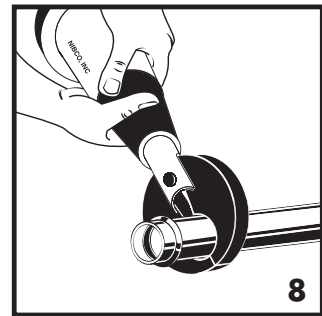
5. Mark the tube with the proper insertion depth using a permanent marker as indicated by the Insertion Depth Chart. Improper insertion depth may result in an improper seal.



6. Insert the tube into the fitting using a twisting motion to the marked depth. **NOTE:** End of tubing must contact stop.



7. Ensure that the proper pressing jaws are installed in the pressing tool and squeeze jaw arms to open jaw set. Place open jaws around the fitting end and ensure that the jaw is properly aligned with the contour of the fitting. For sizes 1-1/8" OD and above, the jaw has a pipe side and bead side orientation.



8. Make sure the tube is inserted to the proper depth in fitting and with the tool at a right angle to the tube, start pressing procedure.

Tube Insertion Depth Chart

Tube Size (In. OD)	Insertion Depth (In.)
1/4 – 3/4	11/16
7/8 – 1-1/8	7/8

NOTE: PressACR fittings can only be installed with NIBCO PressACR jaws. Use of any other jaw will void the product warranty

Not suitable for use with ammonia (R717)

Visit www.NIBCO.com for approved list of refrigerants

Leak Testing: Once all fittings are installed and pressed, the system may be tested for leaks. Testing for leaks should consist of pressurizing the system with nitrogen and using soapy water or tracer gas to detect leaks. Pressurize system to a minimum of 50% of the maximum rated pressure of the system, but no more than 700 PSI. Check the system for leaks and make repairs/replacements where necessary, and verify.

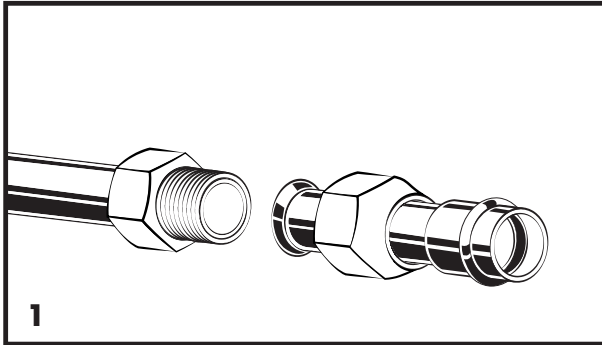
WARNING	MISE EN GARDE !	ADVERTENCIA
Read press tool operator's manual and fitting manufacturer's installation instructions before using. Failure to follow all instructions may result in extensive property damage and/or serious personal injury. Call the NIBCO Technical Service Department at 1.888.446.4226 if you have any questions or need assistance.	Familiarisez-vous avec le mode d'emploi de la presse et les instructions du fabricant des raccords avant d'utiliser l'appareil. Le non-respect de leurs consignes risquerait d'augmenter les risques de dégâts matériels importants et/ou de graves blessures corporelles. Veuillez adresser toutes questions éventuelles ou demandes de mode d'emploi à la NIBCO en composant le 1.888.446.4226.	Antes de usar, lea el Manual del Operario de esta herramienta de presión y las instrucciones de instalación del acoplamiento proporcionadas por su fabricante. Pueden ocurrir daños materiales de gran envergadura y lesiones corporales de gravedad si no se respetan todas las instrucciones. Si tiene alguna pregunta o desea pedir un manual, llame al Departamento de Servicio Técnico de NIBCO al 1.888.446.4226.

Visit our website for the most current information.

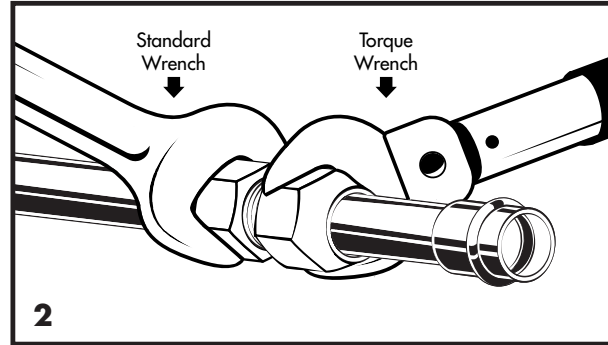
NIBCO® PressACR®

SAE Flare Fittings Installation Instructions

Install PressACR® Female Flare Connector to a Male Flare Connector by making the flare connection prior to pressing the joint.



1. Apply compatible refrigerant lubricating oil to inner and outer surface of flare. To avoid overtightening, do not apply oil to the threads. Hand-tighten nut onto flare.



2. Complete joint by applying the specified torque to the nut and flare fittings, as shown in the table below. Always use an open ended wrench and a torque wrench to ensure integrity of fittings. Do not use a pipe wrench. Do not exceed the maximum torque listed below.

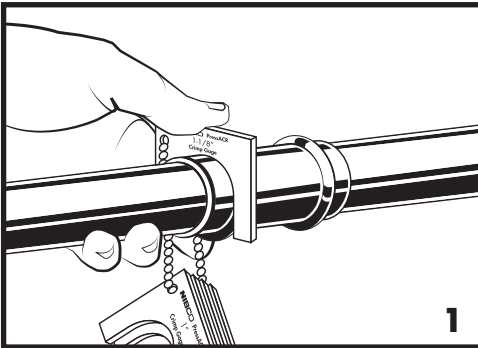
Flares Tightening Torque (DO NOT OVERTIGHTEN)

Tube Diameter	Recommended Torque	Maximum Torque
1/4"	12,2 Nm (9 ft. lbs.)	13,5 Nm (10 ft. lbs.)
3/8"	27,0 Nm (20 ft. lbs.)	33,7 Nm (25 ft. lbs.)
1/2"	40,5 Nm (30 ft. lbs.)	47,2 Nm (35 ft. lbs.)
5/8"	60,8 Nm (45 ft. lbs.)	74,2 Nm (55 ft. lbs.)
3/4"	107,0 Nm (79 ft. lbs.)	119,0 Nm (88 ft. lbs.)

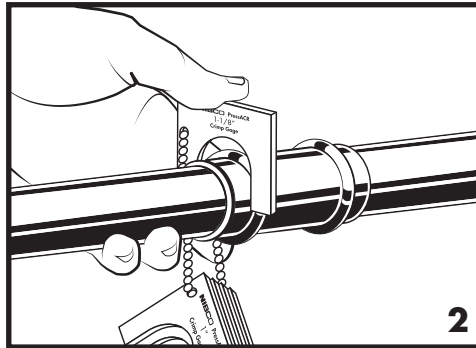
WARNING	MISE EN GARDE !	ADVERTENCIA
Read press tool operator's manual and fitting manufacturer's installation instructions before using. Failure to follow all instructions may result in extensive property damage and/or serious personal injury. Call the NIBCO Technical Service Department at 1.888.446.4226 if you have any questions or need assistance.	Familiarisez-vous avec le mode d'emploi de la presse et les instructions du fabricant des raccords avant d'utiliser l'appareil. Le non-respect de leurs consignes risquerait d'augmenter les risques de dégâts matériels importants et/ou de graves blessures corporelles. Veuillez adresser toutes questions éventuelles ou demandes de mode d'emploi à la NIBCO en composant le 1.888.446.4226.	Antes de usar, lea el Manual del Operario de esta herramienta de presión y las instrucciones de instalación del acoplamiento proporcionadas por su fabricante. Pueden ocurrir daños materiales de gran envergadura y lesiones corporales de gravedad si no se respetan todas las instrucciones. Si tiene alguna pregunta o desea pedir un manual, llame al Departamento de Servicio Técnico de NIBCO al 1.888.446.4226.

Visit our website for the most current information.

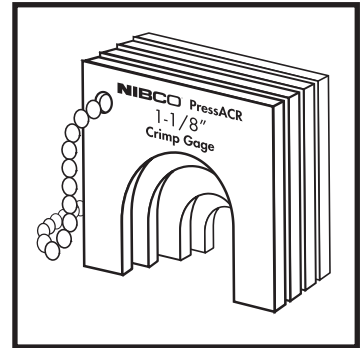
Crimp Gauge Instructions



1. After crimping the PressACR fitting, place the Crimp Gauge adjacent to the outside of the bead (copper tube side) where the jaws close. There should be a slight copper deformation in that location. If the gauge is in complete contact with the copper fitting, the crimp has been successful. Each pressed connection on the fitting should be gauged.



2. If you are unable to obtain complete contact with the copper fitting or see any kind of gap between the gauge and the fitting at the top of the gauge (arch), the crimp has not been successful.



NIBCO provides the PressACR Crimp Gauge to ensure quality installations.

WARNING

Read press tool operator's manual and fitting manufacturer's installation instructions before using. Failure to follow all instructions may result in extensive property damage and/or serious personal injury. Call the NIBCO Technical Service Department at 1.888.446.4226 if you have any questions or need assistance.

MISE EN GARDE !

Familiarisez-vous avec le mode d'emploi de la presse et les instructions du fabricant des raccords avant d'utiliser l'appareil. Le non-respect de leurs consignes risquerait d'augmenter les risques de dégâts matériels importants et/ou de graves blessures corporelles. Veuillez adresser toutes questions éventuelles ou demandes de mode d'emploi à la NIBCO en composant le 1.888.446.4226.

ADVERTENCIA

Antes de usar, lea el Manual del Operario de esta herramienta de presión y las instrucciones de instalación del acoplamiento proporcionadas por su fabricante. Pueden ocurrir daños materiales de gran envergadura y lesiones corporales de gravedad si no se respetan todas las instrucciones. Si tiene alguna pregunta o desea pedir un manual, llame al Departamento de Servicio Técnico de NIBCO al 1.888.446.4226.

Visit our website for the most current information.

NIBCO® PressACR® Limited Warranty

NIBCO INC. LIMITED WARRANTY

Applicable to NIBCO PressACR

NIBCO INC. warrants each that the NIBCO PressACR fitting ("Fittings") shall be free from defects in materials and workmanship under normal use, service, and maintenance in accordance with the product specifications (including, but not limited to installation recommendations) and maintenance in accordance with the product specifications for a period of fifteen (15) years from the Warranty Commencement Date. The Warranty Commencement Date for Fittings shall be the date upon which the Fitting is installed.

NIBCO warrants that the PressACR tools ("Tools") shall be free from defects in materials and workmanship under normal use, service, and maintenance in accordance with the product specifications for a period of two (2) years from date of purchase by the contractor.

NIBCO will repair or replace – at its option and at no charge – Fittings or Tools that have been determined by NIBCO, or an authorized representative or agent thereof, to have failed solely because of a defect in materials or workmanship under normal use, service, and maintenance during the warranty period.

This limited warranty applies to all Fittings installed, tested, applied, and used in accordance with NIBCO's approved and published recommendations and instructions and using the approved NIBCO Tools.

This warranty does not cover any failure or damage for or caused by:

1. any product, parts, or systems which are not manufactured or sold by NIBCO;
2. any Fitting or Tool which is used for purposes other than a purpose authorized by NIBCO;
3. any Fitting not installed, tested, applied, used, or maintained in accordance with NIBCO's recommended installation guidelines and instructions using NIBCO Tools;
4. any Tool not applied, used, or maintained in accordance with NIBCO's recommended installation guidelines and instructions;
5. any Fitting not installed or used in accordance with applicable codes;
6. any damage caused by, contributed in whole or in part by, or resulting from, any of the following:
 - a. abuse, misuse, mishandling, alteration, tampering, neglect, or accidental damage such as, without limitation, vandalism;
 - b. natural disasters, such as, without limitation, flooding, windstorm, and lightning;
 - c. attachments or modifications not authorized by NIBCO;
 - d. external, physical or chemical qualities, such as, without limitation, any refrigerant or lubricant not cited in NIBCO product literature as compatible, or an unsuitable or hostile environment;
 - e. any defects other than those in material or workmanship; or
 - f. any other cause beyond the control of NIBCO.

NIBCO DISCLAIMS ANY AND ALL LIABILITY FOR ANY OTHER DIRECT OR INDIRECT, INCIDENTAL, OR CONSEQUENTIAL DAMAGES OF ANY KIND, INCLUDING BUT NOT LIMITED TO, ECONOMIC LOSS, LOSS OF BUSINESS, LOST PROFITS, PUNITIVE DAMAGES, MOLD INTRUSION, WATER DAMAGE, ETC.

Some states do not allow the exclusion or limitation of damages, so the above limitation or exclusion may not apply to you.

THIS WARRANTY IS THE ONLY WARRANTY FOR THE FITTINGS AND TOOLS PROVIDED BY NIBCO, AND IS AND SHALL BE IN LIEU OF ANY AND ALL OTHER WARRANTIES, EXPRESSED OR IMPLIED, INCLUDING, BUT NOT LIMITED TO, AN IMPLIED WARRANTY OF MERCHANTABILITY OR FITNESS FOR A PARTICULAR PURPOSE, AND FOR ALL OTHER OBLIGATIONS OR LIABILITIES ON THE PART OF A MANUFACTURER. NO EMPLOYEE OF NIBCO, OR ANY OTHER DISTRIBUTOR, AGENT, OR OTHER PERSON OR BUSINESS, IS AUTHORIZED TO MAKE ANY OTHER WARRANTY ON BEHALF OF NIBCO.

Some states do not allow limitations on implied warranties, so the above limitation may not apply to you.

In the event any defect occurs which is believed to be covered by this warranty, NIBCO Technical Services must immediately be contacted by calling 888.446.4226 or emailing CS-TechnicalServices@nibco.com. NIBCO Technical Services after being contacted will make further arrangements for the product's return to NIBCO at the customer's expense for review and evaluation.

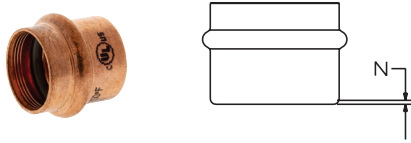
This warranty gives you specific legal rights, and you may also have other rights which vary from state to state.

To the best of our knowledge, the information contained in this publication is accurate. However, NIBCO does not assume any liability, whatsoever for the accuracy or completeness of such information. Final determination of the suitability of any information or product for the use to be contemplated is the sole responsibility of the user. The manner of that use, and whether there is any infringement of patents, is also the sole responsibility of the user.



Visit our website for the most current information.

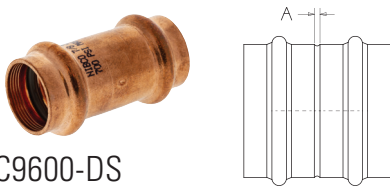
CAPS



PC9617
Cap P – Wrot

OD. SIZE	APPROX. NET WT./LBS.	DIM. N INCHES
1/4	.012	.06
5/16	.015	.06
3/8	.019	.06
1/2	.029	.06
5/8	.046	.08
3/4	.069	.08
7/8	.087	.08
1 1/8	.125	.08
1 3/8	.171	.08

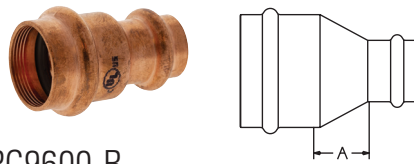
COUPLINGS



PC9600-DS
Coupling P x P – Wrot

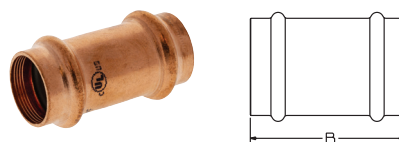
OD. SIZE	APPROX. NET WT./LBS.	DIM. A INCHES
1/4	.022	.12
5/16	.026	.13
3/8	.032	.14
1/2	.054	.15
5/8	.083	.16
3/4	.114	.16
7/8	.157	.16
1 1/8	.198	.16
1 3/8	.271	.16

COUPLINGS, cont.



PC9600-R
Reducing Coupling P x P – Wrot

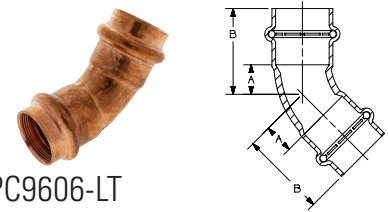
OD SIZE	APPROX. NET WT./LBS.	DIM. A INCHES
5/16 x 1/4	.025	.14
1/2 x 1/4	.040	.14
3/8 x 1/4	.028	.11
1/2 x 3/8	.043	.11
5/8 x 1/4	.054	.17
5/8 x 3/8	.056	.14
5/8 x 1/2	.067	.18
3/4 x 5/8	.098	.15
3/4 x 1/2	.080	.18
7/8 x 1/2	.099	.24
7/8 x 5/8	.121	.22
7/8 x 3/4	.131	.17
1 1/8 x 1/2	.140	.51
1 1/8 x 5/8	.139	.44
1 1/8 x 3/4	.168	.31
1 1/8 x 7/8	.184	.40
1 3/8 x 7/8	.245	.50
1 3/8 x 1 1/8	.231	.44



PC9601 (No Stop)
Repair Coupling P x P – Wrot

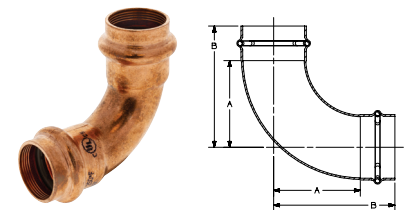
OD SIZE	APPROX. NET WT./LBS.	DIM. B INCHES
1/4	.022	1.56
5/16	.026	1.56
3/8	.025	1.56
1/2	.054	1.75
5/8	.082	1.75
3/4	.114	1.88
7/8	.157	2.25
1 1/8	.190	2.25
1 3/8	.271	2.47

ELBOWS



PC9606-LT
45° Elbow P x P – Wrot

OD SIZE	APPROX. NET WT./LBS.	DIM. A INCHES	DIM. B INCHES
1/4	.025	.41	1.11
5/16	.030	.41	1.11
3/8	.036	.40	1.11
1/2	.062	.41	1.11
5/8	.092	.38	1.11
3/4	.149	.51	1.24
7/8	.181	.48	1.41
1 1/8	.251	.63	1.50
1 3/8	.403	.78	1.79

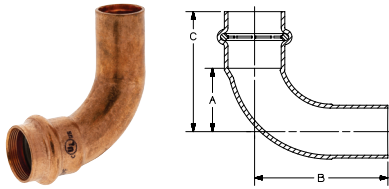


PC9607-LT
90° Elbow P x P – Wrot

OD SIZE	APPROX. NET WT./LBS.	DIM. A INCHES	DIM. B INCHES
1/4	.030	.66	1.38
5/16	.036	.66	1.38
3/8	.041	.72	1.44
1/2	.076	.93	1.65
5/8	.110	.72	1.44
3/4	.174	1.12	1.88
7/8	.223	1.09	1.99
1 1/8	.331	1.44	2.32
1 3/8	.528	1.85	2.89

Visit our website for the most current information.

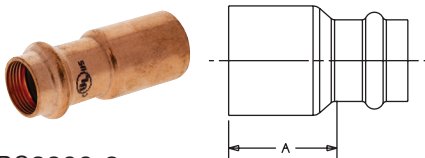
ELBOWS, cont.



PC9607-2-LT
90° Elbow Ftg x P – Wrot

OD SIZE	APPROX. NET WT. LBS.	DIMENSIONS INCHES		
		A	B	C
1/4	.030	.66	1.55	1.38
5/16	.036	.66	1.55	1.38
3/8	.041	.66	1.55	1.38
1/2	.079	.93	1.82	1.65
5/8	.110	.78	1.64	1.47
3/4	.166	1.12	2.01	1.88
7/8	.219	1.05	2.20	1.99
1 1/8	.262	1.50	2.60	2.40
1 3/8	.490	1.88	3.09	2.91

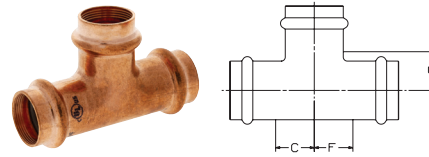
FITTING REDUCERS



PC9600-2
Fitting Reducer Ftg x P – Wrot

OD SIZE	APPROX. NET WT./LBS.	DIM. A INCHES
3/8 x 1/4	.021	.86
1/2 x 3/8	.030	.92
5/8 x 3/8	.037	.99
5/8 x 1/2	.044	.92
3/4 x 5/8	.086	1.03
7/8 x 1/2	.097	1.34
7/8 x 5/8	.092	1.42
7/8 x 3/4	.112	1.20
1 1/8 x 7/8	.151	1.39
1 3/8 x 7/8	.175	1.40
1 3/8 x 1 1/8	.181	1.42

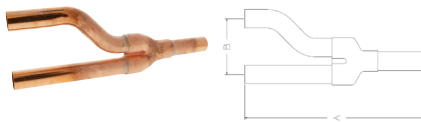
TEES



PC9611
Tee P x P x P – Wrot

OD SIZE	APPROX. NET WT. LBS.	DIMENSIONS INCHES		
		C	F	G
1/4	.037	.30	.30	.30
5/16	.047	.35	.35	.35
3/8	.067	.53	.53	.53
1/2	.110	.53	.53	.53
5/8	.176	.71	.71	.47
3/4	.338	1.13	1.13	.83
7/8	.320	.77	.77	.66
1 1/8	.475	.87	.87	.91
1 3/8	.759	1.00	1.00	.91

Y-JOINTS



PC9649
Y Joint Ftg x Ftg – Wrot

OD SIZE	APPROX. NET WT./LBS.	DIM. A INCHES	DIM. B INCHES
3/8	0.200	8.27	2.76
1/2	0.310	9.45	2.76
5/8	0.510	9.84	3.15
3/4	0.670	10.63	3.15
7/8	1.020	12.60	3.15
1 1/8	1.700	13.39	3.74

FLARES



PC9635
SAE Flares Adapters Flare X P

OD SIZE	APPROX. NET WT./LBS.	DIM. A INCHES
1/4	0.057	1.45
3/8	0.092	1.53
1/2	0.134	1.66
5/8	0.181	1.73
3/4	0.345	1.89

ACCESSORIES



HNBR (gray) Seal

SIZE	PART No.
1/4	T048080 PP
5/16	T048081 PP
3/8	T048082 PP
1/2	T048083 PP
5/8	T048084 PP
3/4	T048085 PP
7/8	T048086 PP
1 1/8	T048087 PP
1 3/8	T048088 PP



PressACR™ Depth Gauges

SIZE	PART No.
1/4 OD – 1-1/8 OD	K700003RPC



PressACR™ Crimp Gauges

SIZE	PART No.
1/4 OD – 1-3/8 OD	K700005RPC

Visit our website for the most current information.

NIBCO[®] PressACR[®] Tools and Jaws



Visit our website for the most current information.

NIBCO® PressACR® Tools

PCR-20M 19KN Tool and Jaws

1/4" through 1 1/8" OD

MATERIAL LIST

MODEL NO.	DESCRIPTION	LBS.
PCR-20M	Mini Pressing Tool, 2 - 18V, 2.0 Ah Lithium-ion batteries, 110V charger & case (NO jaws)	10.10
PCR-14M	1/4" OD Jaw	2.80
PCR-516M	5/16" OD Jaw	2.87
PCR-38M	3/8" OD Jaw	2.87
PCR-12M	1/2" OD Jaw	2.88
PCR-1M	5/8" OD Jaw	3.13
PCR-34M	3/4" OD Jaw	3.00
PCR-2M	7/8" OD Jaw	3.70
PCR-3M	1 1/8" OD Jaw	3.80
PC-4ML	18V, 2.0Ah Lithium-ion Battery (for PCR-20M)	0.85
PC-7L	18V, 3.0Ah Lithium-ion Battery (for PC-280 or PCR-20M)	1.30
PC-8L	110V Battery Charger (for PC-4ML and PC-7L)	2.20
PC-9L	AC Adapter (for PC-280 or PCR-20M)	1.70
PC-50	1/4" - 1 1/8" OD Deburring Tool	0.42

 For use with NIBCO PressACR fittings only.



PCR-20M
Mini Pressing Tool



**PCR-14M, PCR-516M,
PCR-38M, PCR-12M,
PCR-34M, PCR-1M,
PCR-2M, PCR-3M**
Mini Pressing Jaws



PC-4ML

18V, 2.0 Ah Lithium-ion Battery



PC-8L

110V Battery Charger



PC-50

PCR Deburring Tool



PC-7L

18V, 3.0 Ah Lithium-ion Battery



PC-9L

AC Adapter

PCR-20M FEATURES

TOOLS

Light weight

PCR-20M Mini: 3.7 lbs. (without jaw)

Easy to handle / simple design

Jaws rotate 350°
No calibration necessary
No complicated switches or controls
Mini: Ergonomic compact design is easy to use in tight spaces

Interruptible crimp cycle

Safety feature prevents injuries
Can begin crimp, stop to align and level fitting / tube, and complete crimp

Battery

Can be changed during crimp cycle
Lithium-ion has short charging cycle and larger capacity

- PC-4ML: 15 minute recharge time
- PC-7L: 22 minute recharge time

AC Power Adapter

Converts the tool to electric power
Allows continuous use


Service light

Illuminates at 10,000 cycles
Tool will not stop operating when light illuminates

- RED indicates battery charge status, service intervals, tool functions & faults
- WHITE illuminates the work area

Hydraulic Pressure Check (HPC)

An audible warning signal sounds if adequate working pressure is not achieved

 **WARNING:** This product can expose you to chemicals including lead, which is known to the State of California to cause cancer and birth defects or other reproductive harm. For more information go to www.P65Warnings.ca.gov.

Visit our website for the most current information.

NIBCO® PressACR® PC-280 32KN Jaws

MATERIAL LIST

MODEL NO.	DESCRIPTION	LBS.
PCR-14S	1/4" jaw for PC-280 tool	4.29
PCR-516S	5/16" jaw for PC-280 tool	4.29
PCR-38S	3/8" jaw for PC-280 tool	4.27
PCR-12S	1/2" jaw for PC-280 tool	4.25
PCR-1S	5/8" jaw for PC-280 tool	4.20
PCR-34S	3/4" jaw for PC-280 tool	4.29
PCR-2S	7/8" jaw for PC-280 tool	4.25
PCR-3S	1 1/8" jaws for PC-280 tool	4.65
PCR-138S	1 3/8" jaw for PC-280 tool	4.40



**PCR-14S, PCR-516S, PCR-38S, PCR-12S, PCR-34S,
PCR-1S, PCR-2S, PCR-3S, PCR-138S**

NOTE: Only NIBCO jaws can be used to crimp NIBCO PressACR™ fittings. Use of any other jaw will void the product warranty

Visit our website for the most current information.

NIBCO® PressACR® — Engineering Data Tools

Tool & Jaws Compatibility Matrix			
Manufacturer	Model(s)	Size Range	NIBCO Jaws
NIBCO®	PCR-20M (19 KN)	1/4" to 1 1/8"	PCR-14M 1/4 Jaw, PCR-516M 5/16 Jaw, PCR-38M 3/8 Jaw, PCR-12M 1/2 Jaw, PCR-1M 5/8 Jaw, PCR-34M 3/4 Jaw, PCR-2M 7/8 Jaw and PCR-3M 11/8 Jaw
Klauke®	MAP2L19 (19 KN)	1/4" to 1 1/8"	
NIBCO®	PC-280 (32 KN)	1/4" to 1 3/8"	PCR-14S 1/4 Jaw, PCR-516S 5/16 Jaw, PCR-38S 3/8 Jaw, PCR-12S 1/2 Jaw, PCR-1S 5/8 Jaw, PCR-34S 3/4 Jaw, PCR-2S 7/8 Jaw, PCR-3S 11/8 Jaw and PCR-138S 13/8 Jaw
RIDGID®	RP 350 (32 KN)	1/4" to 1 1/8"	
	RP 351 (32 KN)	1/4" to 1 1/8"	
	RP 342-XL Long Reach (32 KN)	1/4" to 1 1/8"	
	RP 340-B	1/4" to 1 1/8"	
Milwaukee®	M18™ Force Logic (32 KN)	1/4" to 1 1/8"	
	M18™ Long Throw Force Logic (32 KN)	1/4" to 1 1/8"	
DeWalt®	DCE200 (32 KN)	1/4" to 1 1/8"	

NOTE: Only NIBCO jaws can be used to crimp NIBCO PressACR™ fittings. Use of any other jaw will void the product warranty

Visit our website for the most current information.